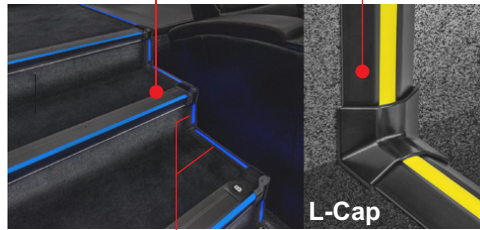


LED STEP SIDE LIGHTING



XTRU-4810
(topline series)

XTRU-4810-SL
(sideline series)



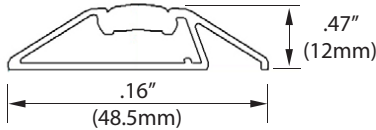
L-Cap

Impact Lighting's **XTRU-4810-SL** Series Side Step Lighting is an additional compliment to the XTRU-4810 aluminum step profiles. LED step side illumination adds that extra safety and wow factor with single or RGB color options. Perfect for theater applications, these side profiles offers a cross line cable management system that overrides wiring obstacles.

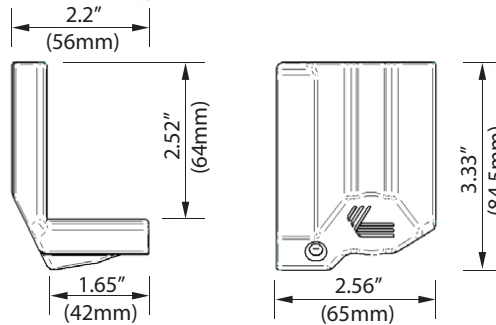
KEY FEATURES

- Fix finished edge of step with screws or an adhesive
- Can be installed on carpeted steps
- Adjustable end caps
- No visible LED points
- Custom cut to Length (max 2 meters / 78 inches)
- Profile allows running of wires without surface milling

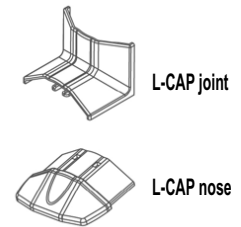
TREAD COVER COLOR



SIDELINE COVER



SIDELINE TRI-CAP



SIDELINE L-CAPS

ORDERING Example: XTRU-4810-2-12\"/>

MODEL	CUT LENGTHS	HOUSING FINISH	TREAD COVER COLOR *	TREAD LED COLOR	Tri-CAPS	L-CAPS
XTRU-4810-SL	<input type="text"/>	<input type="text"/>	<input type="text"/>	<input type="text"/>	<input type="text"/>	<input type="text"/>
Aluminum LED Lighted Side Stair Profile	Write desired cut lengths above (0.15M - 2M) (6" - 78.5") eg: 2 - 12" / 2 - 7"	AL - Aluminum Finish BLK - Black Finish	BL - Blue Acrylic RED - Red Acrylic YE - Yellow Acrylic CL - Clear Acrylic MK - Milky White Acrylic	WH - White RGB - Red Green Blue * *requires controller	TCR - Tri-Cap Right TCL - Tri-Cap Left LRTC - Left & Right Tri-Caps	LCJ - L-Cap joint LCN - L-Cap-nose
* When choosing a colored acrylic riser White LED is suggested						

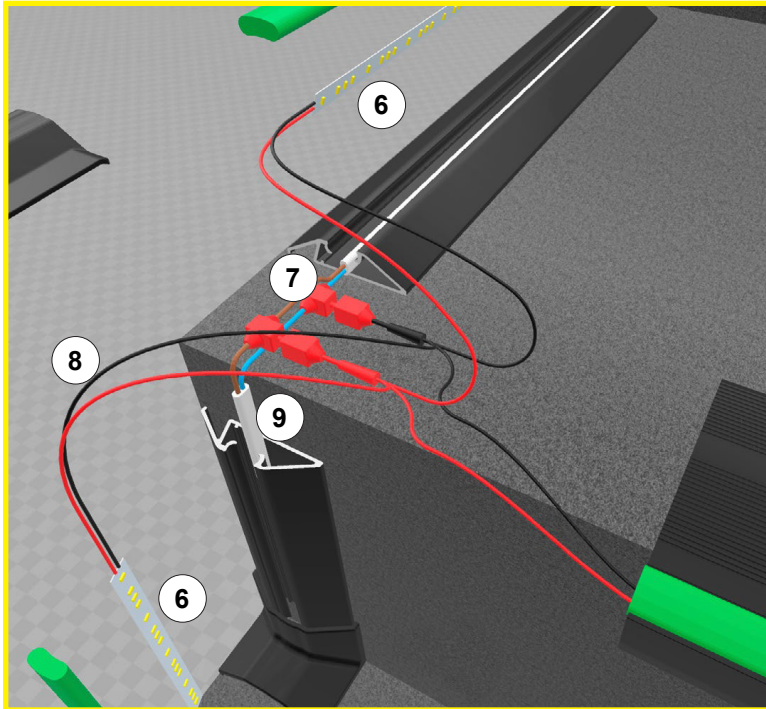
X-LUME

A DIVISION OF IMPACT LIGHTING INC.

2101 West Central Blvd. Orlando, Florida 32805 USA • Phone: 1.800.507.5714 • Email: sales@impactlightinginc.com

www.xlumeled.com

LED STEP SIDE LIGHTING



Impact Lighting's SideLine is a brand new cable cover system with LED lighting answering to the need for simple and aesthetic installation of cables for LED stair nosing profiles. Our specially designed profile allows you to run wires without the need for surface milling.

1. End cap
2. Tread cap L (left)
3. Angle cap
4. CROSSLINE cable cover
5. Diffuser
6. LED strip
7. Fast connectors
8. LED wire
9. Master cable
10. IL-XTRU-4110 profile
11. Row mark

